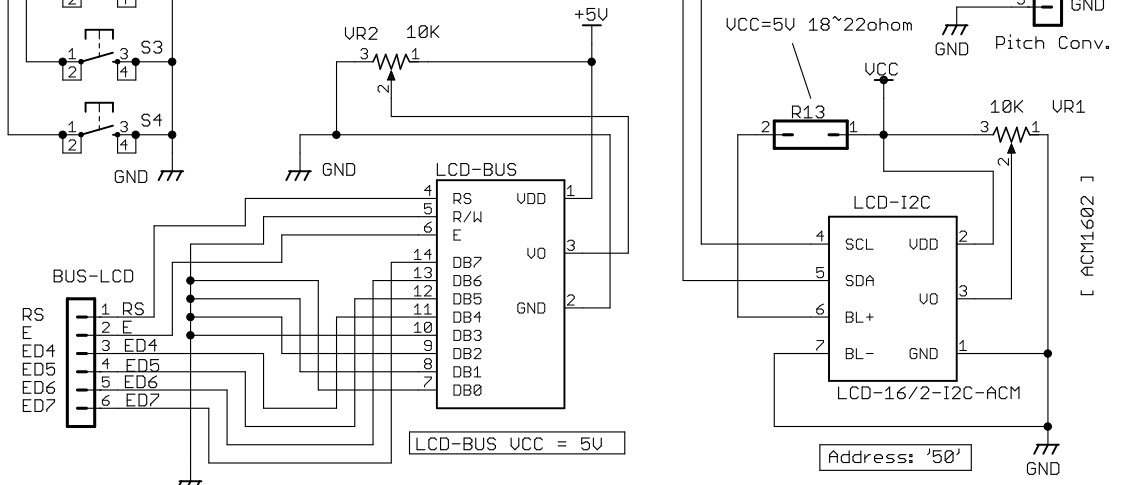
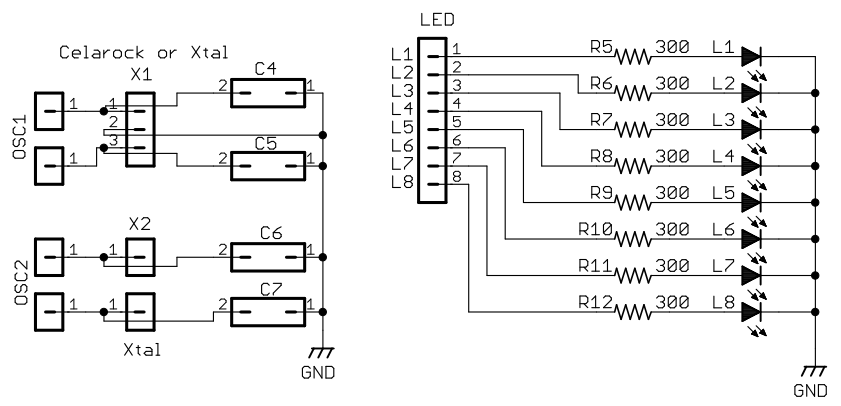


ADK-F1712078
Test Devices Board



[ACM0802A]
[ACM1602]